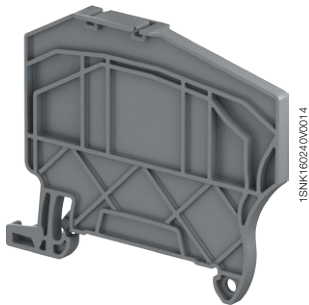


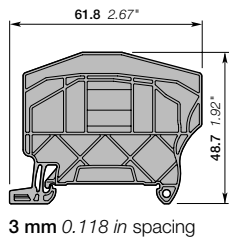
Circuit separators

PI-Spring terminal blocks accessories



1SNK1602400014

CS-R2



3 mm 0.118 in spacing

CS-R2 circuit separators

Description

- Compact circuits separator solution (only 3mm spacing) which provides a convenient visual identification of the several circuits within terminal assemblies,
- Unique top marking possibility that can replace the conventional solution of "end stop with label holder" for demanding applications with high space constraints,
- Compatible with all PI-spring feed-through and ground terminal blocks up to 8 mm spacing,
- Mounting on DIN3-TH35 rail.

Ordering details

Description	Color	Type	Order code	Pkg qty	Weight (1 pce) g
3 mm 0.118 in spacing	Dark grey	CS-R2	1SNK900106R0000	20	3.80

Main technical data

Material specifications	Insulating material	Polyamide			
	Flammability	V0			
	NF F 16 101	I2F2			
Ambient temperature min/max	Service IEC 60068-2-1	-55 ... +110 °C	-67 ... +230 °F		
	Storage	-55 ... +110 °C	-67 ... +230 °F		
	Installing	-5 ... +40 °C	+23 ... +104 °F		
All the main technical data provided are "manufacturer" values					
	RoHS				

Accessories

Description	Color	Type	Order code	Pkg qty	Weight (1 pce) g
Terminal block markers	White	MG-CPM 13 41791	1SNB041791R0612	1680	0.27
Labels	Yellow	MG-VYT 46415	1SNB046415R0615	5250	0.04
Blank card	White	MG-VYT 46915	1SNB046915R0615	5250	0.05
	White	MC612	1SNK150000R0000	22	10.00
Blank card		MC612PA	1SNK159999R0000	20	11.00
Universal wire markers holder 5.2 mm 0.205 in spacing	Grey	UMH	1SNK900611R0000	10	0.20

All the technical data for UL/CSA standard and dimensions in inches are in italic.
Technical data valid for copper conductors only.